

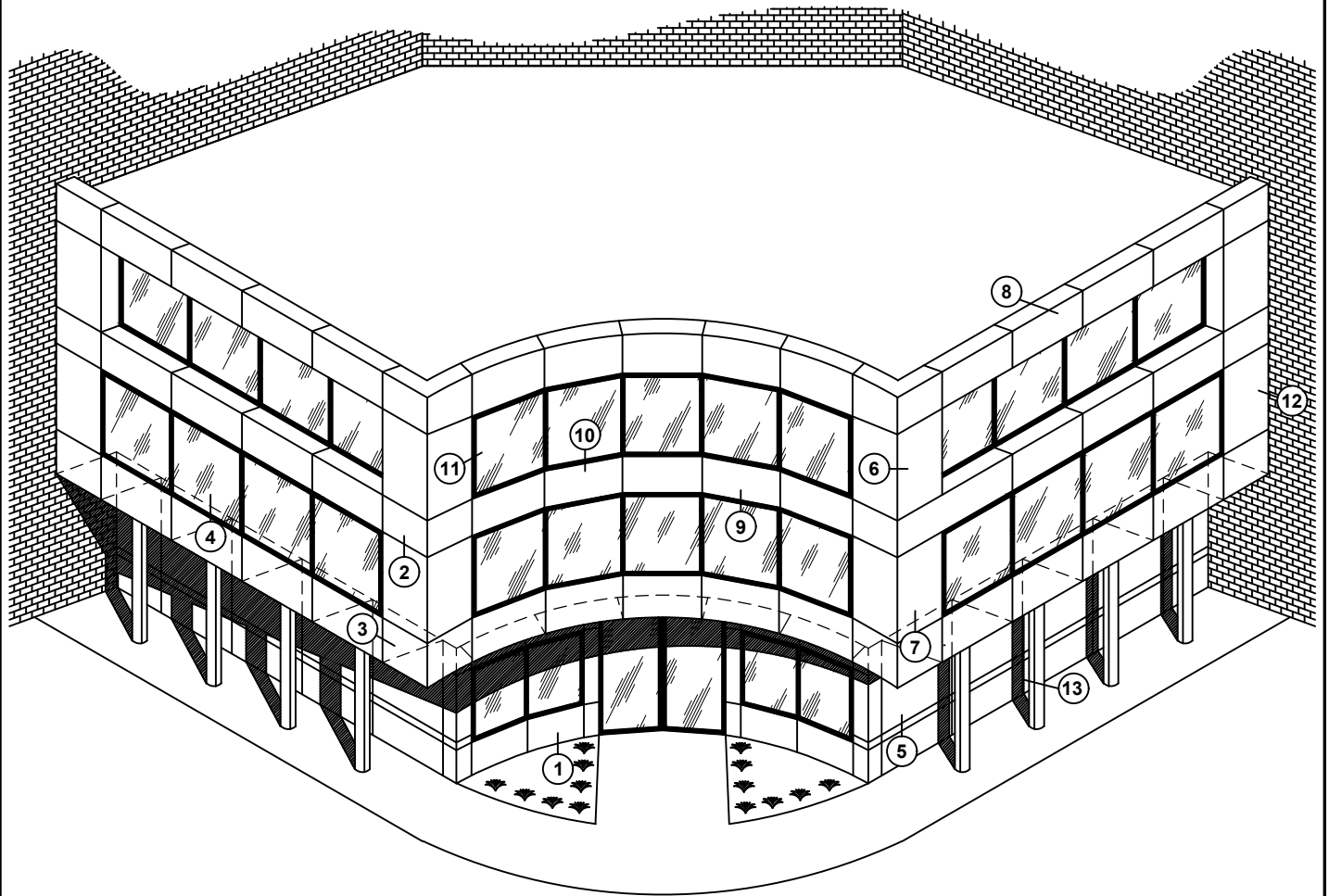
# ACCU-TRAC<sup>®</sup>

## ATTACHMENT SYSTEMS

### TYPICAL DETAILS

# ROUTE & RETURN EXPOSED SEALANT SYSTEM

(ES SYSTEM)

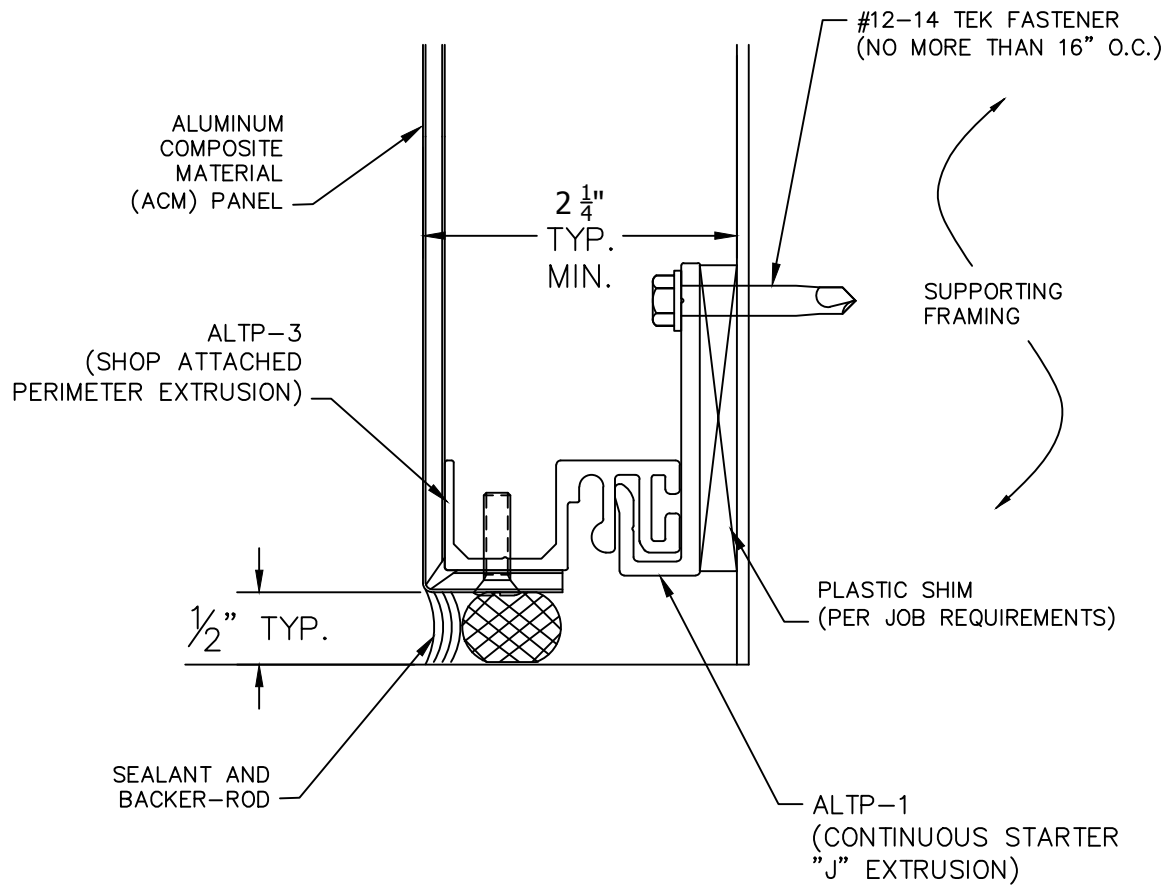


MANUFACTURED BY ALTECH PANEL SYSTEMS AND AVAILABLE THROUGH VARIOUS DISTRIBUTORS  
1 JOHNSON ST. SUITE 118 CARTERSVILLE, GA. 30120 PHONE 678-721-4569

[ALTEHPANEL.COM](http://ALTEHPANEL.COM)

# ACCU-TRAC® (ES) ATTACHMENT SYSTEMS

1 JOHNSON ST. SUITE 118 CARTERSVILLE, GA. 30120 PHONE 678-721-4569

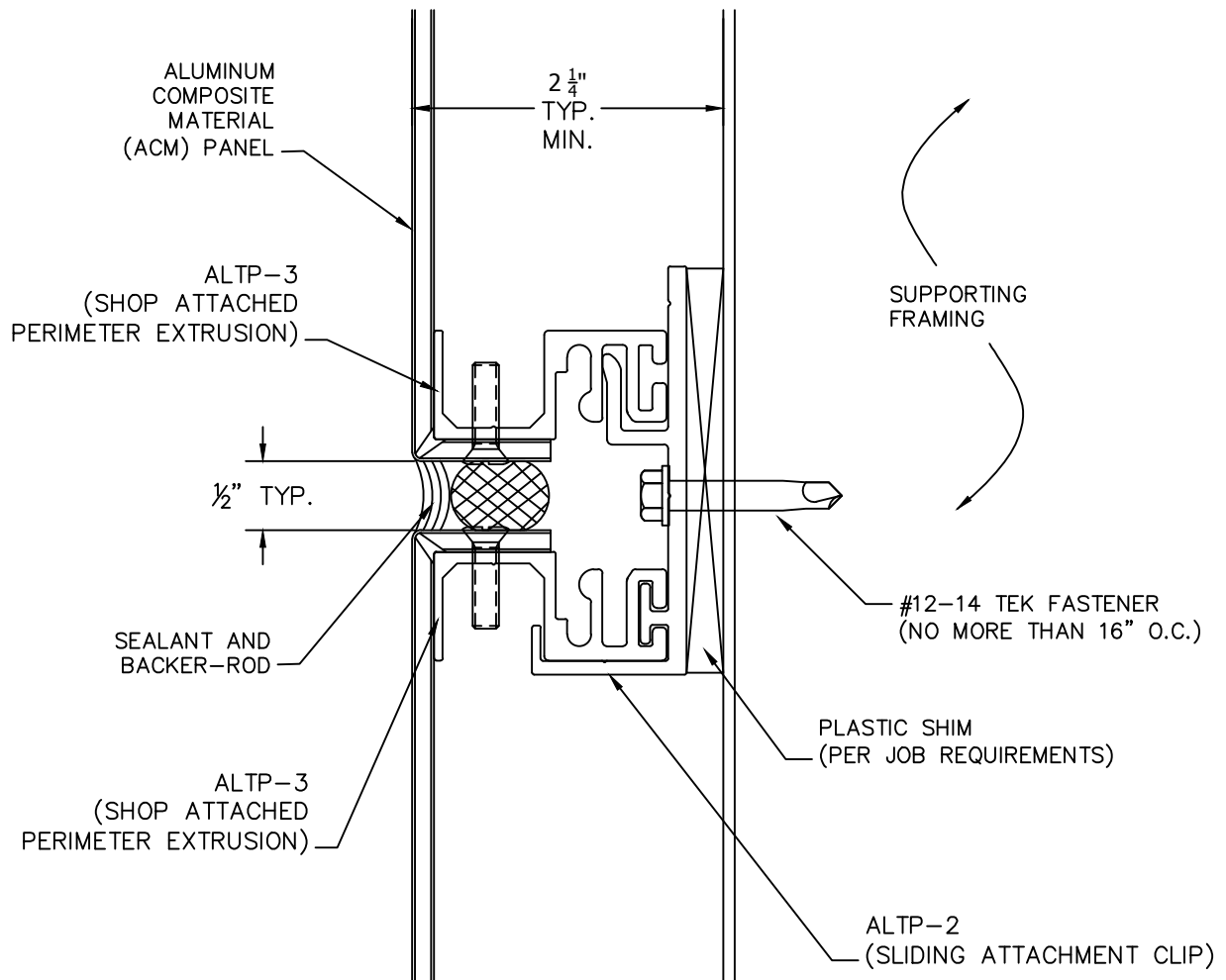


1

SILL TERMINATION  
SCALE: NONE

# ACCU-TRAC® (ES) ATTACHMENT SYSTEMS

1 JOHNSON ST. SUITE 118 CARTERSVILLE, GA. 30120 PHONE 678-721-4569



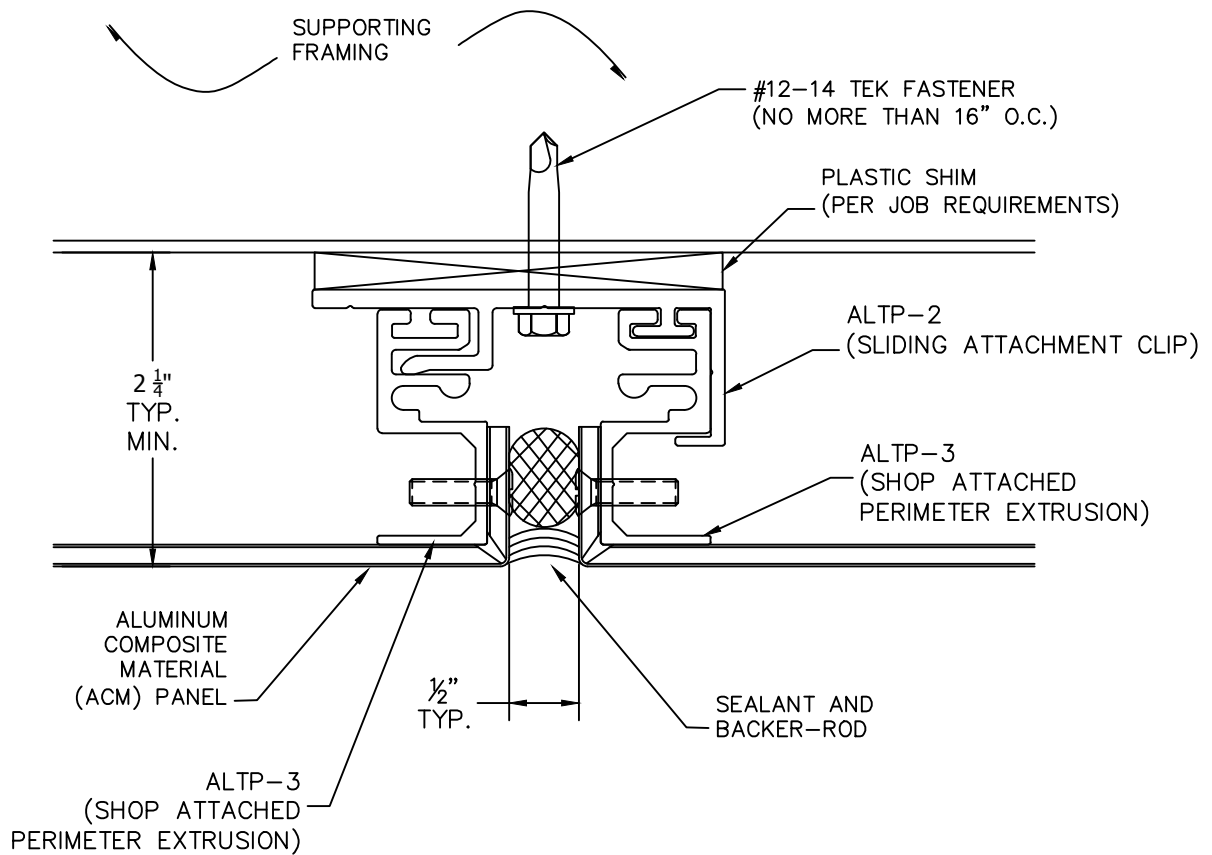
2

TYP. HORIZONTAL JT.

SCALE: NONE

# ACCU-TRAC® (ES) ATTACHMENT SYSTEMS

1 JOHNSON ST. SUITE 118 CARTERSVILLE, GA. 30120 PHONE 678-721-4569

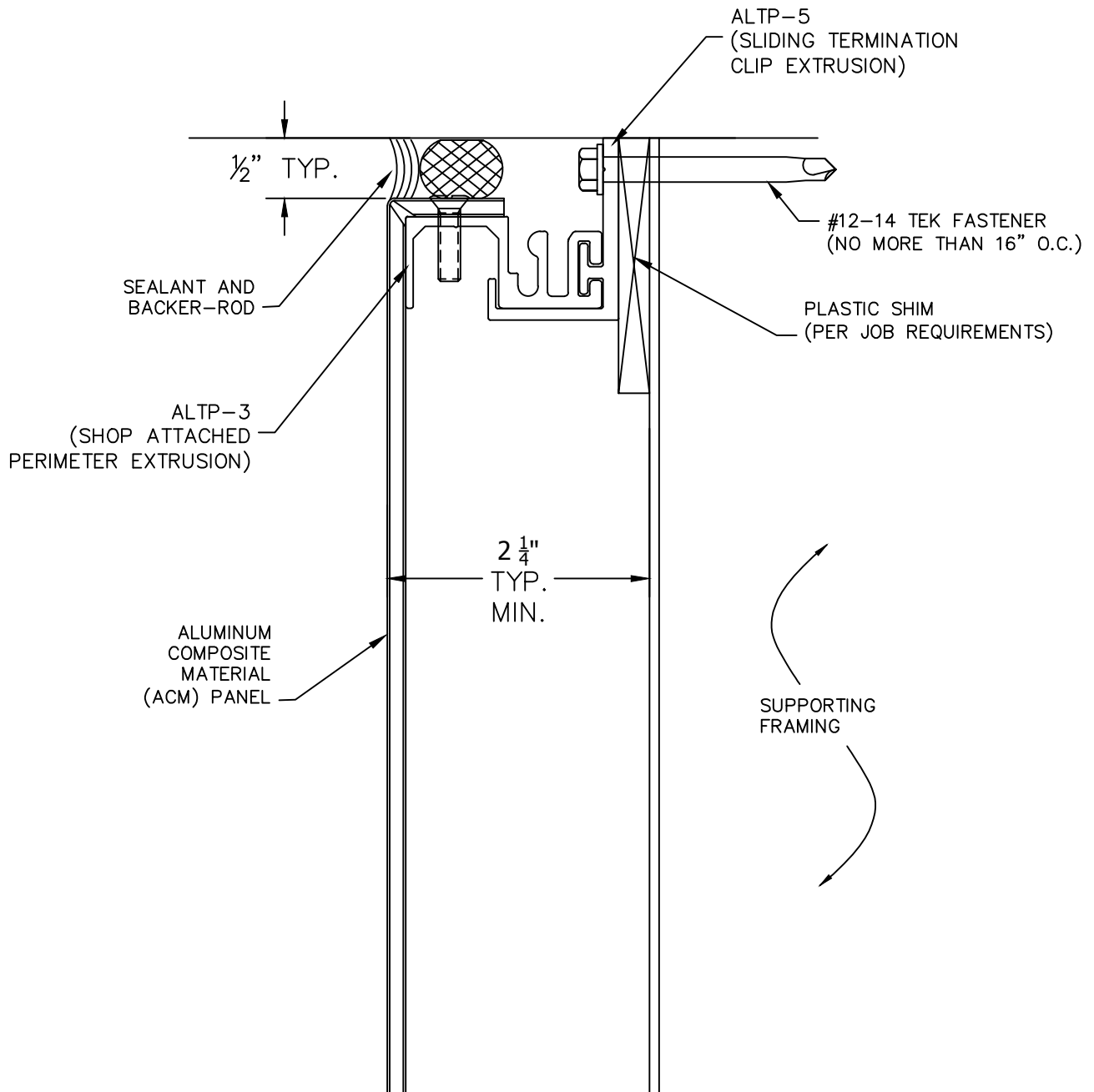


3

TYP. VERTICAL JT.  
SCALE: NONE

# ACCU-TRAC® (ES) ATTACHMENT SYSTEMS

1 JOHNSON ST. SUITE 118 CARTERSVILLE, GA. 30120 PHONE 678-721-4569



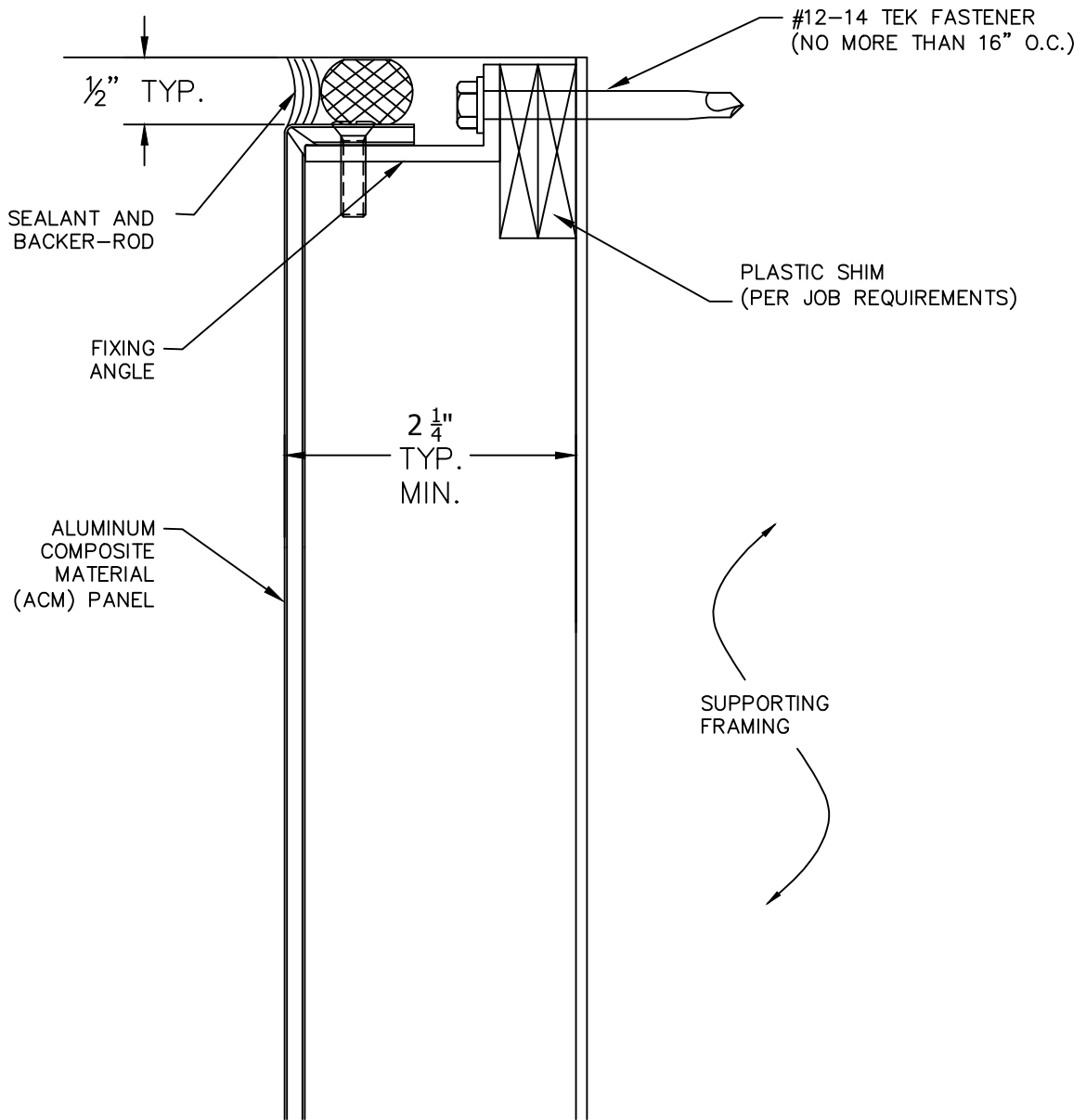
4

## HEAD TERMINATION

SCALE: NONE

# ACCU-TRAC® (ES) ATTACHMENT SYSTEMS

1 JOHNSON ST. SUITE 118 CARTERSVILLE, GA. 30120 PHONE 678-721-4569

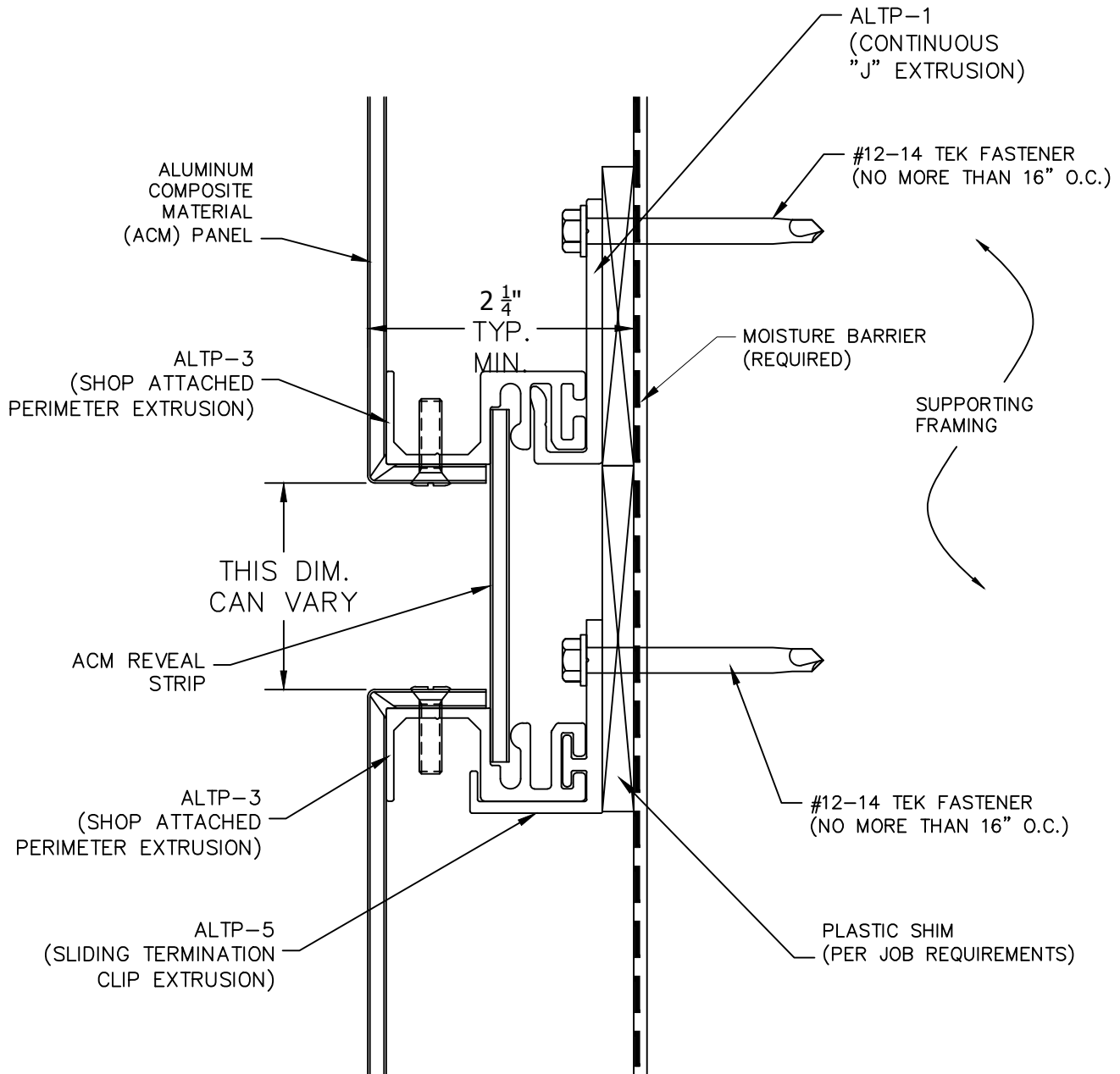


4A

ALT. HEAD TERMINATION  
SCALE: NONE

# ACCU-TRAC® (DS) ATTACHMENT SYSTEMS

1 JOHNSON ST. SUITE 118 CARTERSVILLE, GA. 30120 PHONE 678-721-4569

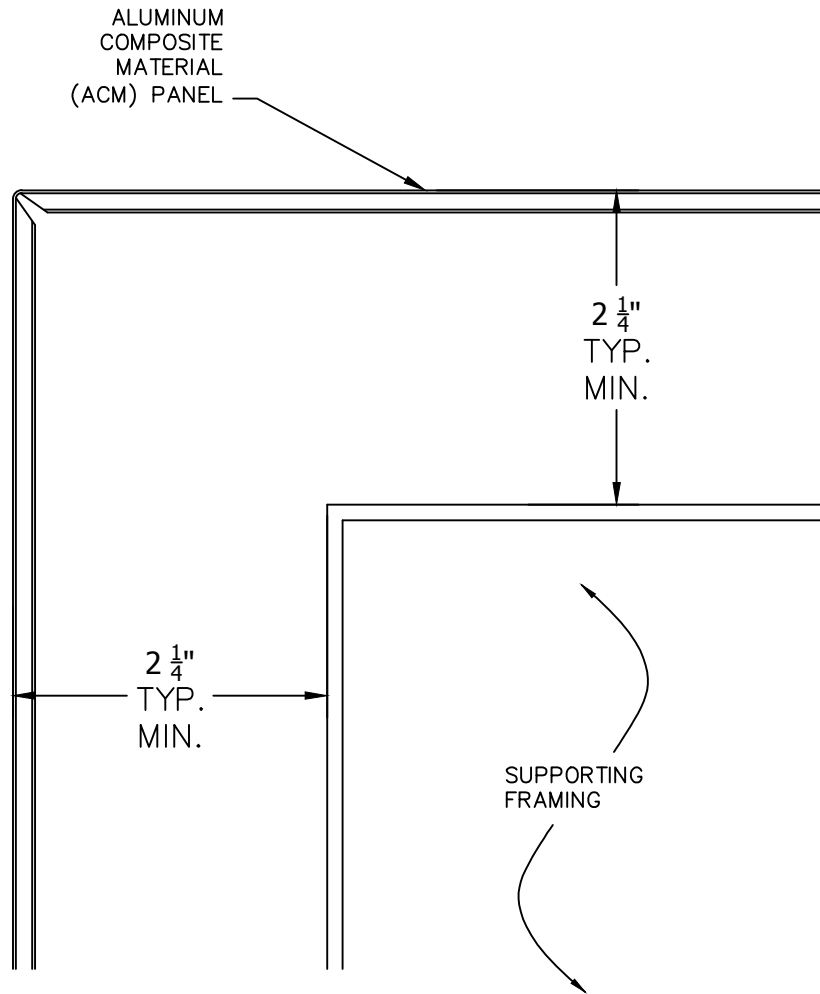


5

TYP. REVEAL JT.  
SCALE: NONE

# ACCU-TRAC® (ES) ATTACHMENT SYSTEMS

1 JOHNSON ST. SUITE 118 CARTERSVILLE, GA. 30120 PHONE 678-721-4569



6

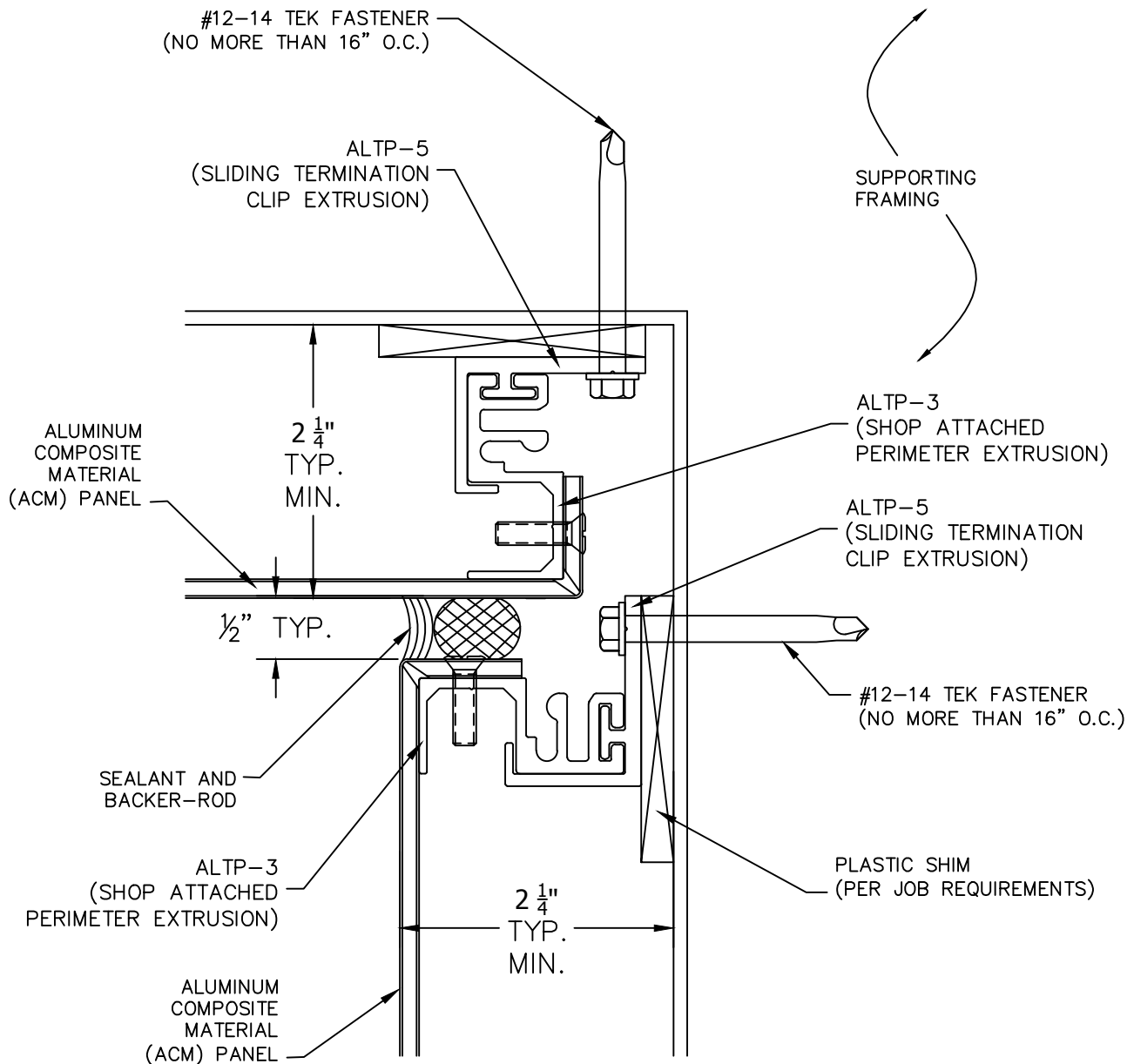
OUTSIDE CORNER

SCALE: NONE



# ACCU-TRAC® (ES) ATTACHMENT SYSTEMS

1 JOHNSON ST. SUITE 118 CARTERSVILLE, GA. 30120 PHONE 678-721-4569



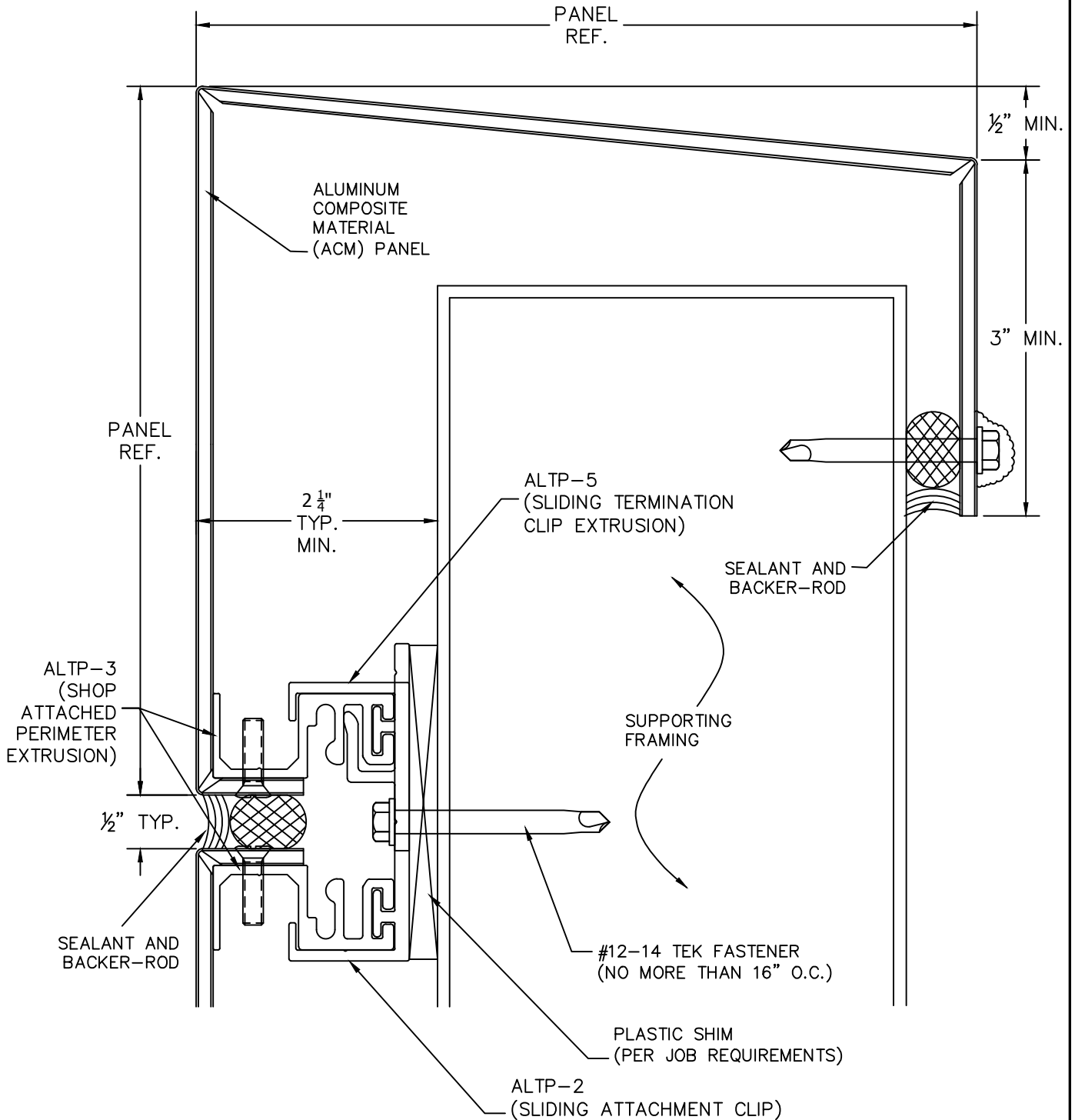
7

SOFFIT CONDITION

SCALE: NONE

# ACCU-TRAC® (ES) ATTACHMENT SYSTEMS

1 JOHNSON ST. SUITE 118 CARTERSVILLE, GA. 30120 PHONE 678-721-4569



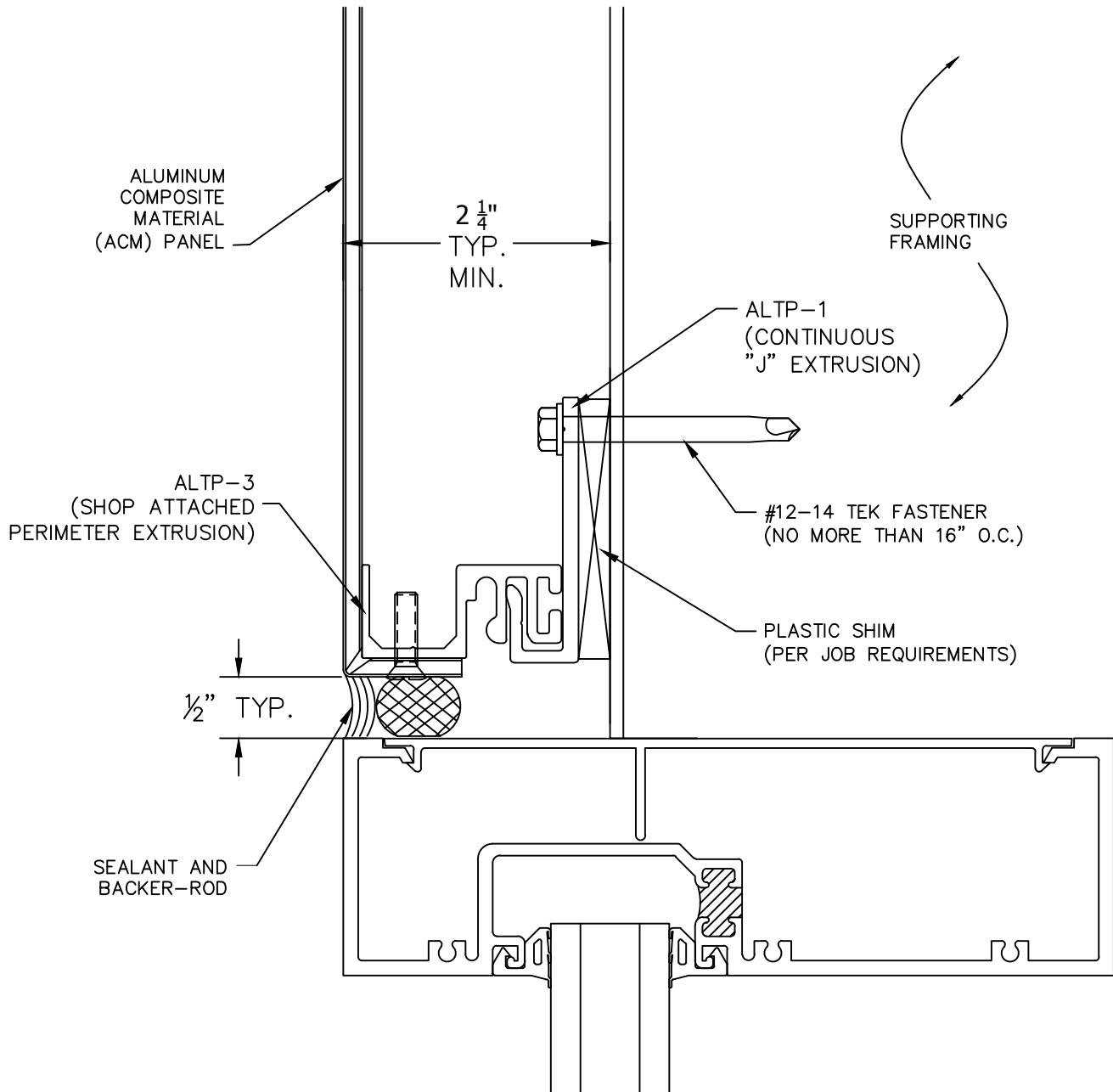
8

## PARAPET CONDITION

SCALE: NONE

# ACCU-TRAC® (ES) ATTACHMENT SYSTEMS

1 JOHNSON ST. SUITE 118 CARTERSVILLE, GA. 30120 PHONE 678-721-4569



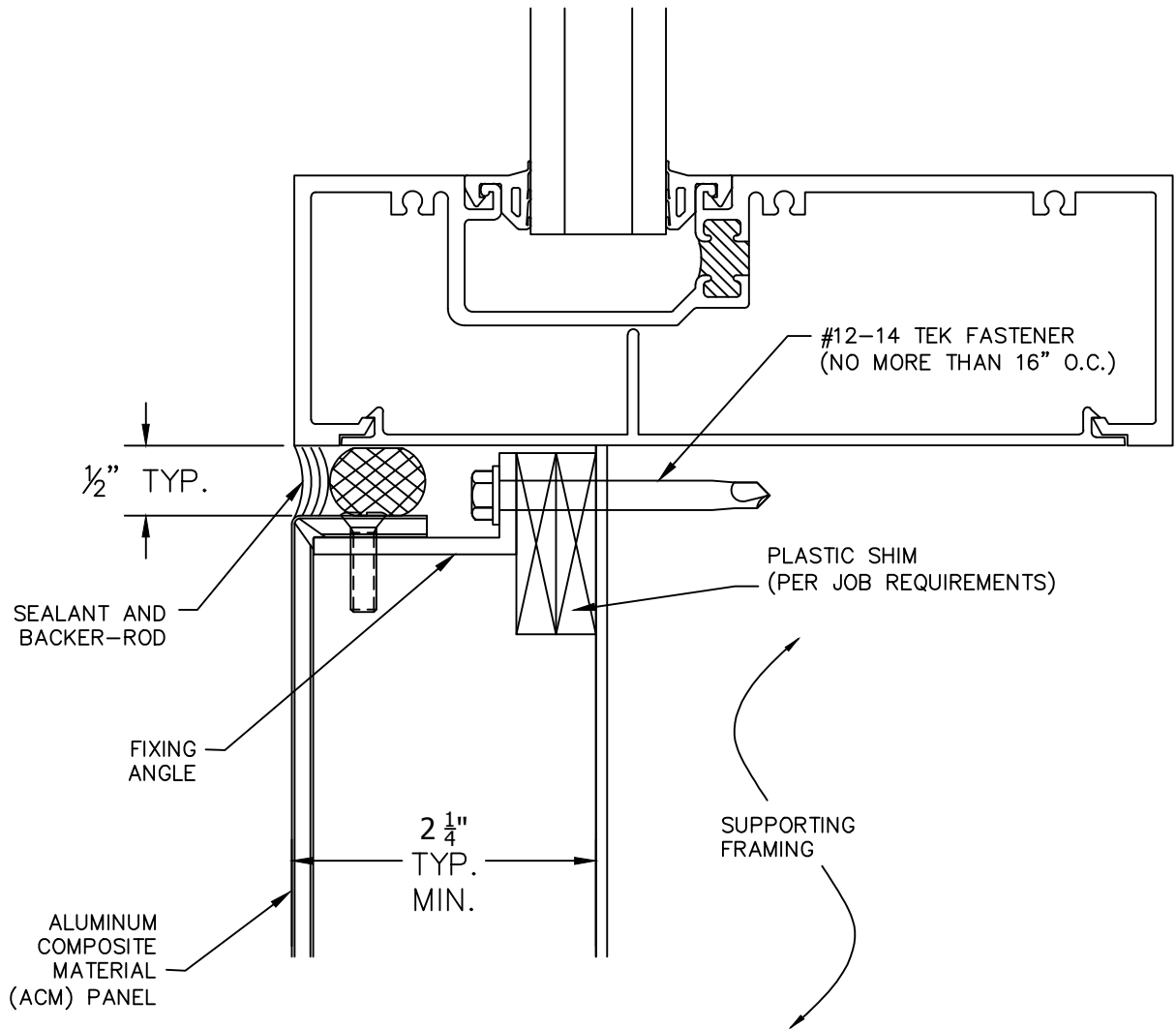
9

## WINDOW HEAD CONDITION

SCALE: NONE

# ACCU-TRAC® (ES) ATTACHMENT SYSTEMS

1 JOHNSON ST. SUITE 118 CARTERSVILLE, GA. 30120 PHONE 678-721-4569



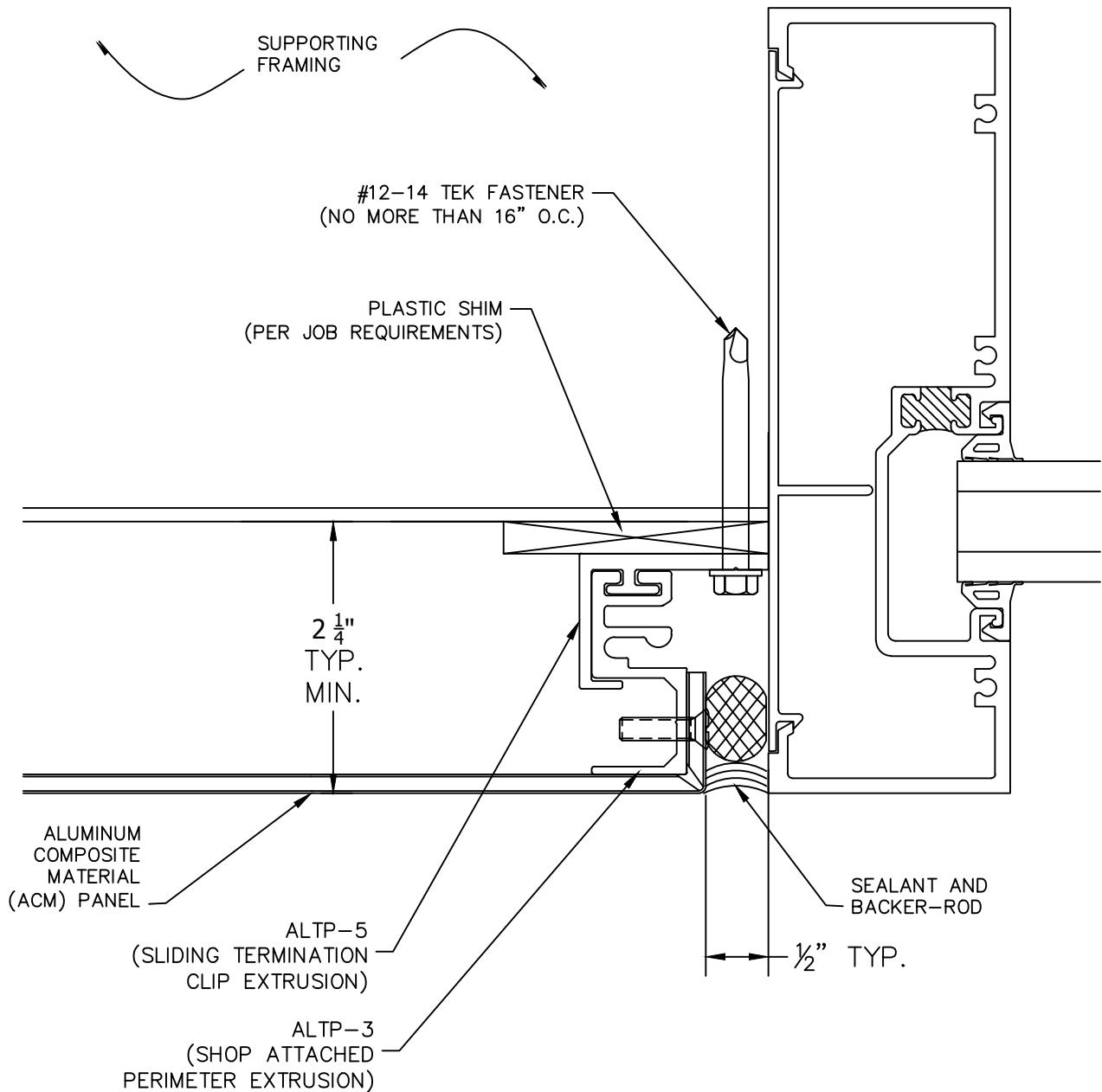
10

## WINDOW SILL CONDITION

SCALE: NONE

# ACCU-TRAC® (ES) ATTACHMENT SYSTEMS

1 JOHNSON ST. SUITE 118 CARTERSVILLE, GA. 30120 PHONE 678-721-4569



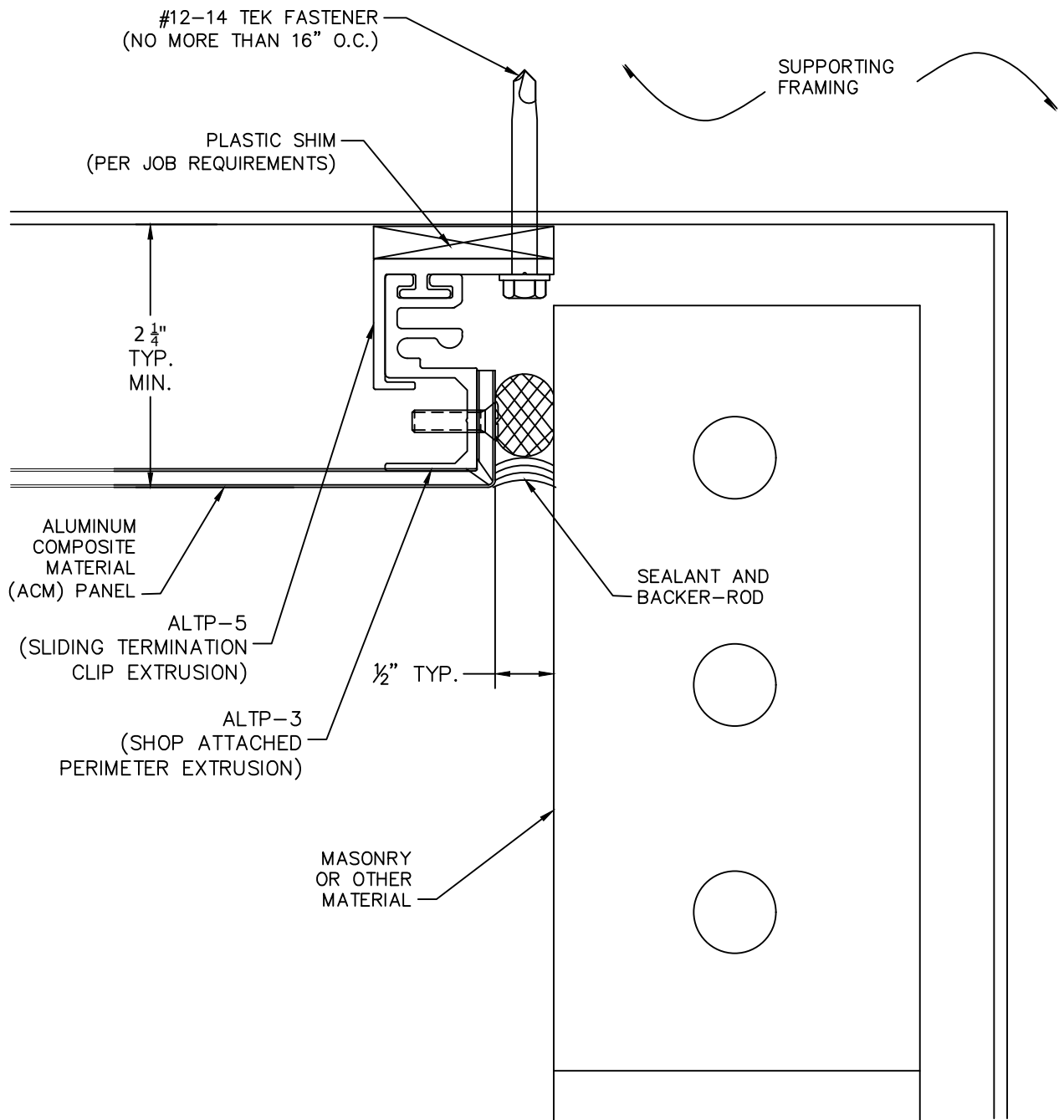
11

## WINDOW JAMB CONDITION

SCALE: NONE

# ACCU-TRAC® (ES) ATTACHMENT SYSTEMS

1 JOHNSON ST. SUITE 118 CARTERSVILLE, GA. 30120 PHONE 678-721-4569

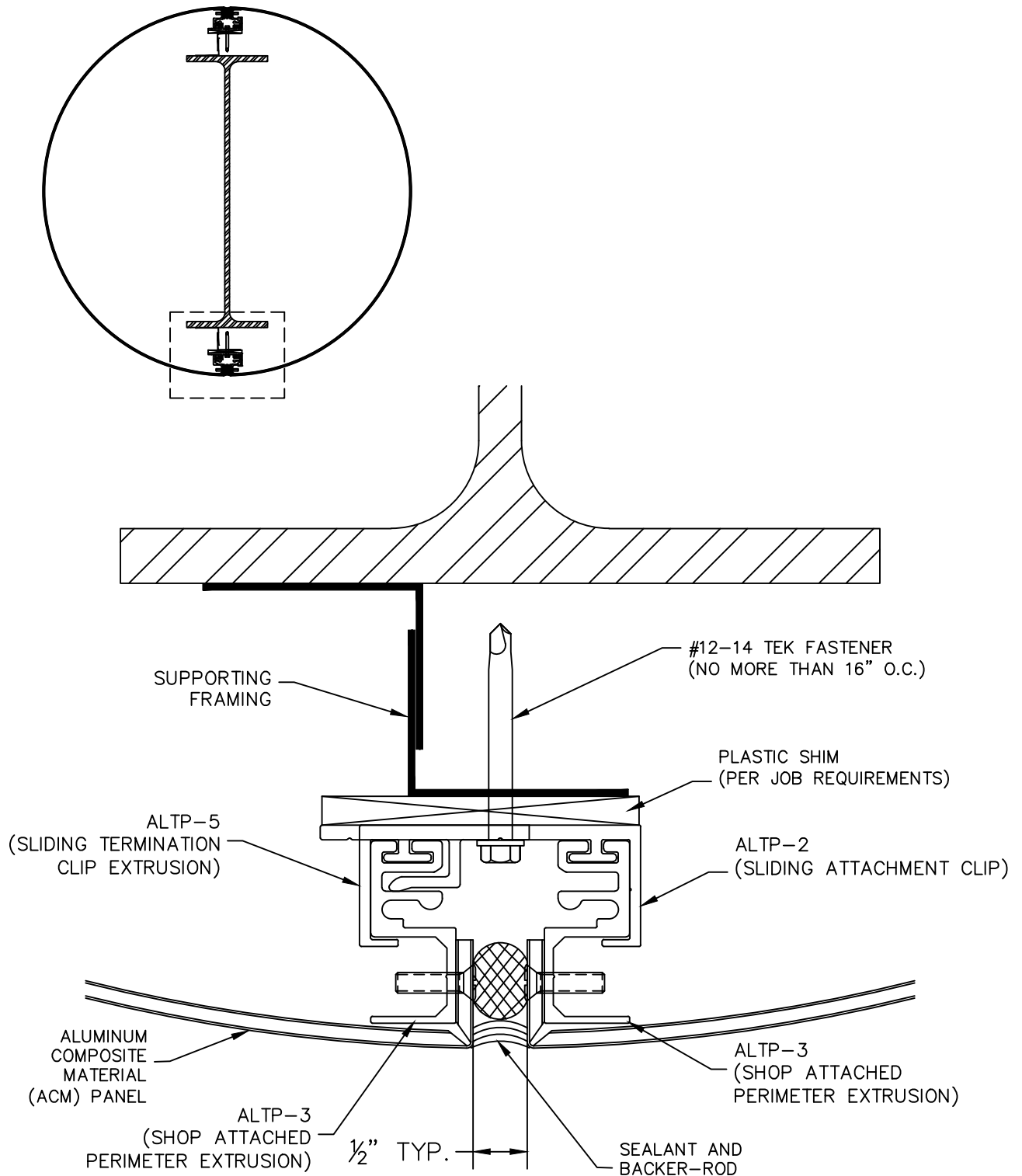


12

JAMB CONDITION @ BRICK  
SCALE: NONE

# ACCU-TRAC® (ES) ATTACHMENT SYSTEMS

1 JOHNSON ST. SUITE 118 CARTERSVILLE, GA. 30120 PHONE 678-721-4569



13

COLUMN DETAIL

SCALE: NONE